

## Swing Bridge

*Feasibility Study*



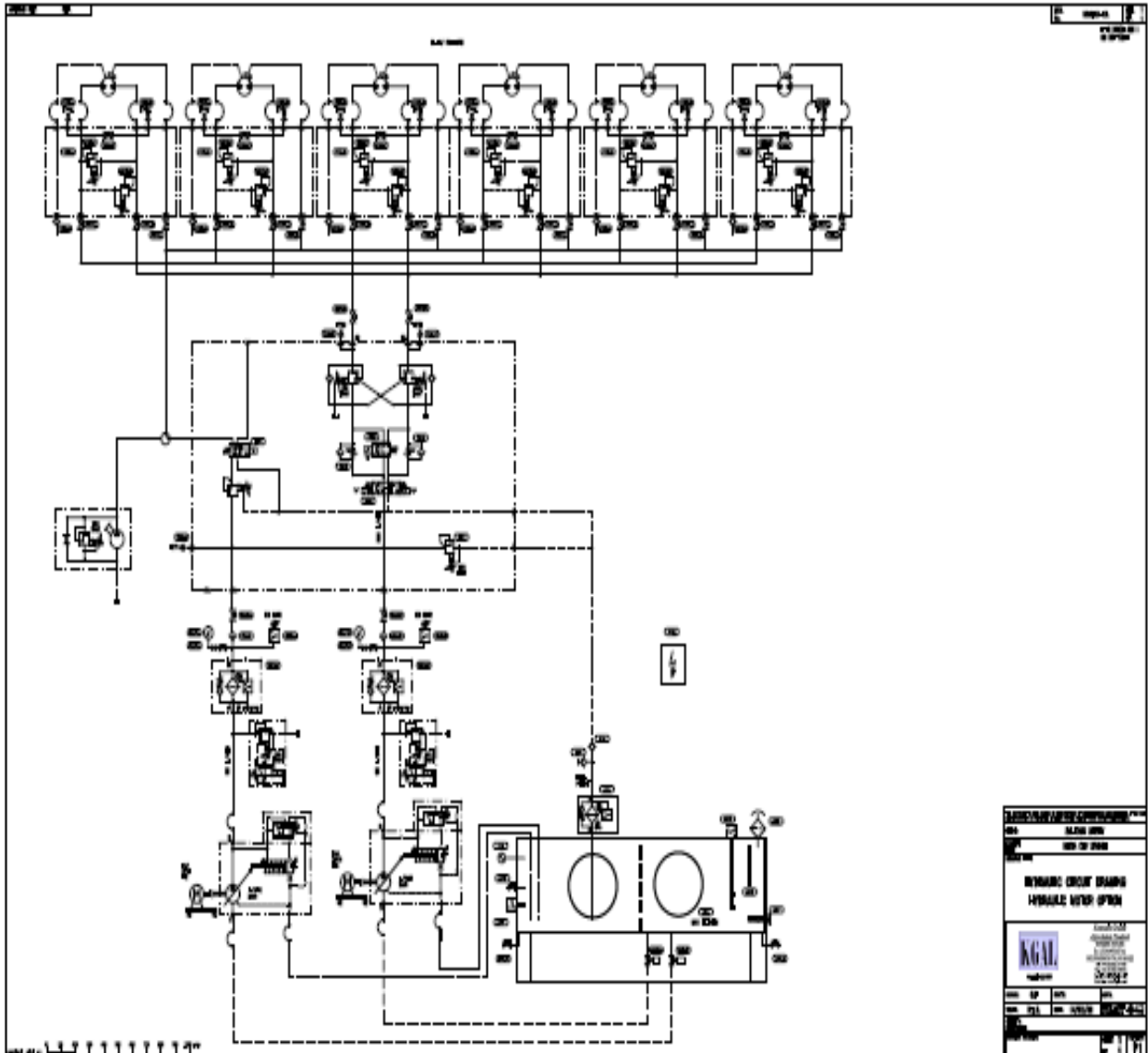
### Objectives

- Create a model of the hydraulic drive system of the bridge.
- Simulate various scenario's and verify the correct operation of the bridge



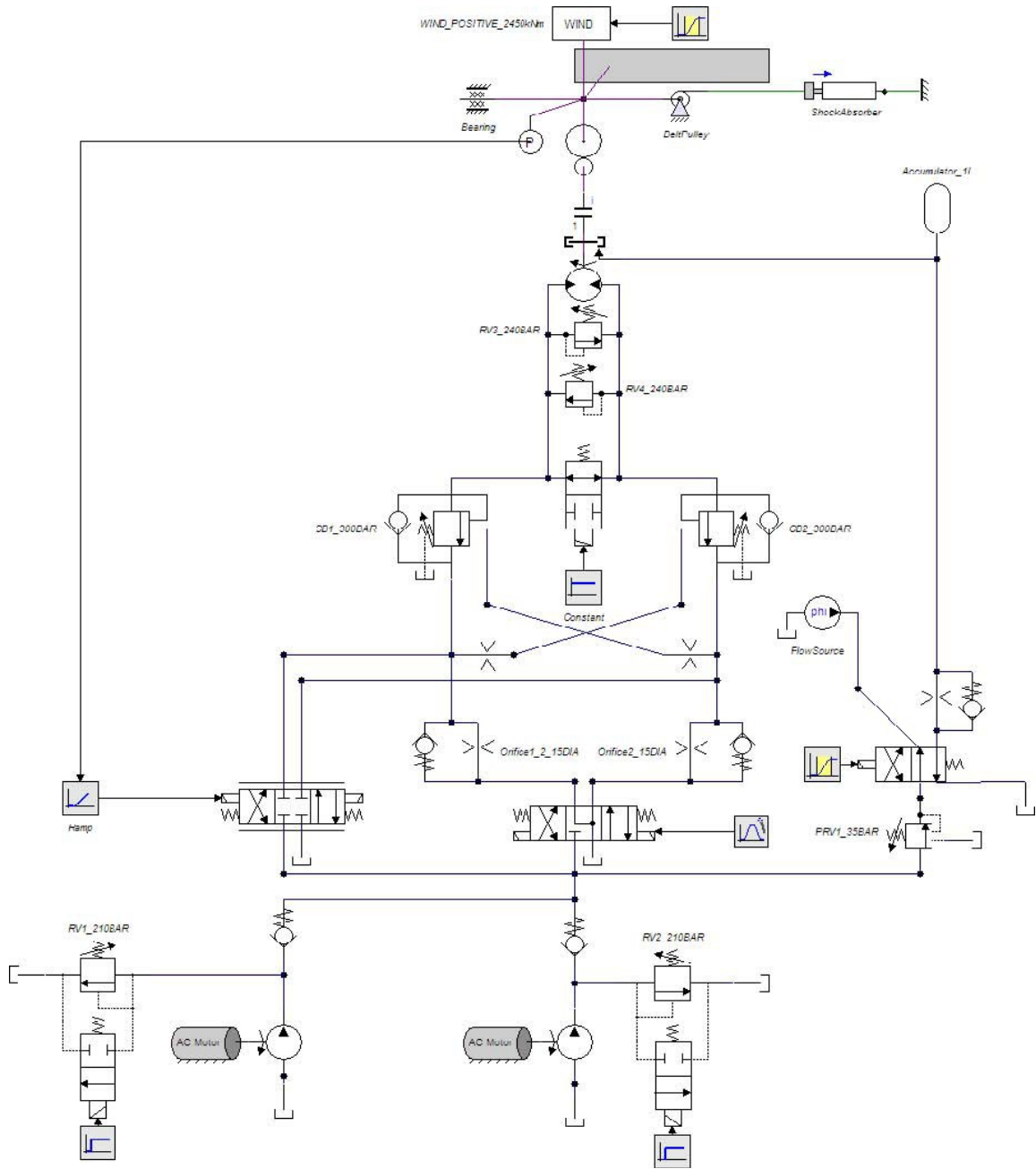
The Power in Modeling

## Hydraulic Circuit



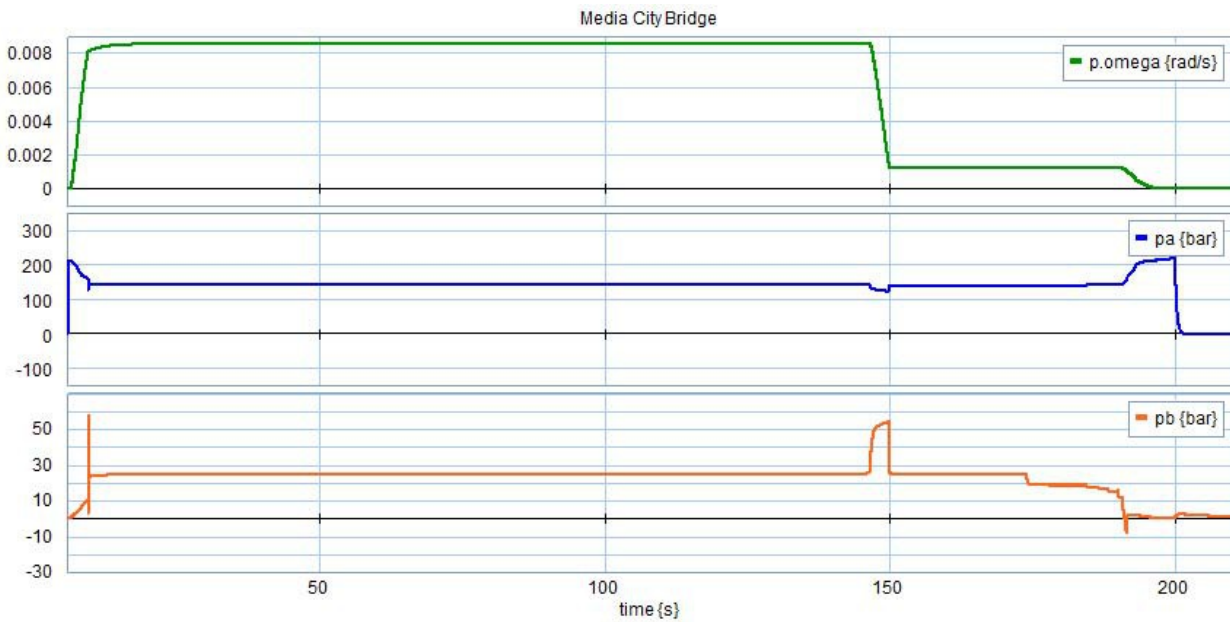
The Power in Modeling

Model



The Power in Modeling

## Simulation



## Results

- The hydraulic system is fit for its job.
- The bridge will be able to operate at severe wind load.
- More dampers at the end tip of the bridge are required.